

DE LA RUE  
CASH SYSTEMS



DeLaRue

# MACH<sup>®</sup> 6

## Coin sorter/counter

A fast coin sorter/counter with optional Coin Detection Euro (CD€)



Available with  
Coin Detection Euro  
(CD€)

# MACH<sup>®</sup> 6

## Coin sorter/counter

The **MACH 6** is a fast, compact coin sorter/counter suitable for tabletop or stand-alone applications.

### Fast, efficient & intelligent throughput

Sorting and counting up to 3000 coins per minute, the **MACH 6** is one of the fastest coin sorter/counters in its class.

The **MACH 6** is capable of counting up to 8 denominations. With its large lifting inspection pan holding up to 4500 coins, the **MACH 6** enhances productivity through efficient coin processing.

### Ease of use

Selectable bag stops with batch, sub and grand totals are easily accessed via a direct keypad. A two-line alpha-numeric display clearly conveys operational messages at a glance. The **MACH 6** features a lockout security function to protect vital operating information.

### Coin Detection Euro (CD€)

With the addition of the Coin Detection option, utilising De La Rue's Coin Signature Detection System (CSDS™), the **MACH 6** becomes the ideal machine to assist in the rejection of foreign or counterfeit coins. This cost effective option increases accountability while maintaining the highest degree of accuracy.



### Compact size

Utilising minimal counter or floorspace, the **MACH 6** can be accommodated into virtually any work environment. Its superior design offers functionality, efficiency and visual appeal.

### Multiple functionality

The **MACH 6** is easily adaptable to any high volume application. The Management Information Control System (MICS) option provides three levels of memory and allows other media – such as cheques, rolled coin and notes – to be entered, ensuring a comprehensive audit trail.

With four RS232 serial ports as standard the **MACH 6** can interface to cash settlement systems/workstations, PC computers, currency counters, remote display and printer, machine stand, security stand and inspection pan magnet.

De La Rue Cash Systems Sorters/Counters are the direct result of over 100 years experience in designing, manufacturing and distribution of world-class coin processing machines. The quality management systems have been found to be in compliance with and registered to ISO-9002 standard. Worldwide service and support is provided through De La Rue Cash Systems network of branch offices and authorised distributors.

## Technical Specification

#### Coin size range

Diameter: 15.5mm to 32.5mm

Thickness: 1.0mm to 3.0mm

Differential: 0.5mm minimum

#### Inspection pan capacity

Up to 4500 x 18mm coin

#### Drawer capacity

Up to 1000 x 18mm coin

#### Processing speed

Up to 3000 coins per minute

#### Sorting capability

Up to 8 different denominations

#### Bag stops

Three selectable bag stops per denomination

#### Security features

Lockout security to protect operating information

Optional security stand

Battery back up in the event of power failure

#### Serial interface ports

Four RS232 ports

#### Power supply

90V - 264AC, 50/60 Hz

#### Options

Coin drawers

Bagging attachments (requires stand)

Machine stand

Inspection pan magnet

Remote batch total display

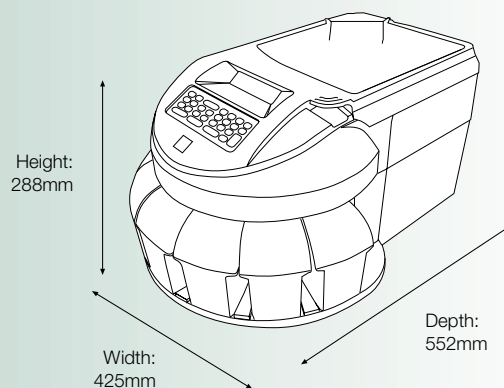
Printer

#### Coin Detection

Coin Detection Euro (CD€) for fast detection and rejection of foreign or counterfeit coins

**MICS Control** - including three levels of memory - batch, sub and grand total all with programmable ID numbers, currency registers by denomination, user programmable bag stops, real time clock and up to 99 separate identifiers for teller/product totals

#### Dimensions



Net Weight: 21.4kg



This leaflet is for general guidance only. De La Rue International Limited is pleased to give detailed specifications of its products in this leaflet. As the company's products and services are continually being developed it is important for customers to check that the information contained herein includes the latest particulars. This document is not part of a contract or licence save insofar as may be expressly agreed.

MACH is a registered trademark of De La Rue International Limited  
CSDS is a trademark of De La Rue International Limited

© De La Rue International Limited 2002



#### DE LA RUE CASH SYSTEMS

Walton Road  
Farlington  
Portsmouth  
PO6 1TJ  
www.delarue.com



DeLaRue