

DE LA RUE
CASH SYSTEMS



DeLaRue

MACH 3



Euro
model

Coin sorter/counter

A fast, compact coin sorter/counter suitable for tabletop or portable applications



MACH 3

Coin sorter/counter

The **MACH 3** is a cost efficient, compact coin sorter/counter. Operating with a coin processing speed of 1500 coins per minute, it provides a fast, reliable alternative to the manual method of counting and sorting by hand.

Fast, efficient throughput

The **MACH 3** features the highest coin sorting speed and compact size of any unit in its class.

The **MACH 3** decreases coin processing time and increases accountability by ensuring the highest degree of accuracy.

Compact size

Utilising minimal counter space, the **MACH 3** fits into any cash room environment. The **MACH 3** has a built-in carrying handle and is portable enough to be transported and applied to any application.

Ease of use

User selectable bag stops as well as batch and grand totals are easily accessed via a direct keypad. A two-line alpha-numeric display conveys operational messages at a glance.



A lockout security function places operating functions in the hands of supervisory personnel only.

With few moving parts and simplified electronics, the **MACH 3** is easy to use and maintain.

Multiple functionality

In addition to the portable sorting of coin into drawers, the **MACH 3** is easily convertible to a tabletop sorter with the addition of the optional bagging attachments and adjustable bagging pedestal, offering versatility in its application.

Other options include two RS232 serial ports that allow connection of the **MACH 3** to cash settlement systems/workstations, PC computers, and remote display and printer.

De La Rue Cash Systems Sorters/Counters are the direct result of over 100 years experience in designing, manufacturing and distribution of world-class coin processing machines. The quality management systems have been found to be in compliance with and registered to ISO-9002 standard. Worldwide service and support is provided through De La Rue Cash Systems network of branch offices and authorised distributors.

Technical Specification

Coin size range

Diameter: 15.5mm to 32.5mm

Thickness: 1.0mm to 3.0mm

Differential: 0.5mm minimum

Inspection pan capacity

Up to 1000 x 18mm coin

Drawer capacity

Up to 500 x 18mm coin

Processing speed

Up to 1500 coins per minute

Sorting capability

Up to 6 different denominations

Bag stops

Three selectable bag stops per denomination

Security features

Lockout security to protect operating information

Battery back up in the event of power failure

Power supply

90V - 264 AC, 50/60 Hz

Options

Coin drawers

Bagging attachments

Tabletop bagging pedestal

Inspection pan magnet

Two RS232 serial interface ports

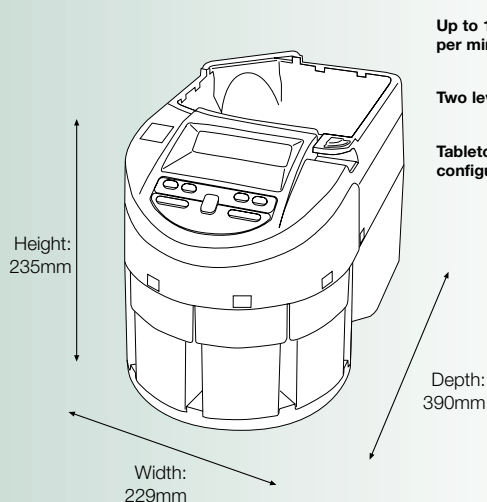
Printer

Remote batch total display

Soft-sided carrying bag/machine cover

Cash till sorting kit (U.S./Canada only)

Dimensions



Net Weight: 7.6kg

Compact size

Up to 1500 coins per minute

Two levels of totals

Tabletop or portable configurations



This leaflet is for general guidance only. De La Rue International Limited is pleased to give detailed specifications of its products in this leaflet. As the company's products and services are continually being developed it is important for customers to check that the information contained herein includes the latest particulars. This document is not part of a contract or licence save insofar as may be expressly agreed.



© De La Rue International Limited 2001

DE LA RUE CASH SYSTEMS

De La Rue House
Jays Close
Viables
Basingstoke
RG22 4BS
www.delarue.com



DeLaRue