

DE LA RUE
CASH SYSTEMS



DeLaRue

2610



Euro model

Currency counting machine

High quality, currency counter with first-line counterfeit detection



2610

Currency counting machine



The robust **2610** desktop currency counter ensures accurate, reliable and cost-effective counting of banknotes. With optional first-line counterfeit or size detection aids, the **2610** combines quality, reliability and ease of use.

Fast, efficient throughput

The **2610's** superior feed mechanism provides smooth, fast and dependable processing of all types of banknotes, whatever their condition. Notes from mint to very poor quality are processed consistently. For optimum performance the **2610** incorporates three pre-set throughput speeds.

Highest accuracy

De La Rue Cash Systems' unique patented Doubles Detect counting technology provides superior accuracy regardless of note condition and requires no operator adjustment.

The easy-to-use machine is light yet strong, incorporating an automatic start facility and a clear, touch-sensitive control panel. For maximum productivity the input hopper design ensures notes can be easily and quickly loaded.

The **2610** is equipped with six standard batch sizes for faster set-up.

Range of options

Available with the following counterfeit or size detection options:

UV - checks banknote paper authenticity - two sensitivity levels.

SD - identifies banknotes of different heights.

3D - identifies banknotes of different heights or lengths.

De La Rue Cash Systems' counters are the direct result of 40 years' experience in designing, manufacturing and distributing world-class currency counting machines. Worldwide service and support specialists are provided through De La Rue Cash Systems' network of branch offices and authorised distributors.

Technical Specification

Document size range

100mm x 50mm to 190mm x 90mm

2610 3D

120mm x 50mm to 170mm x 90mm

2610+ (Euro 3D model)

120mm x 50mm to 160mm x 90mm

Hopper capacity

500 notes

Stacker capacity

200 notes

Throughput speed

600/1000/1200 notes per minute (pre-set)

Batching capability

Six pre-set batches (5,10,20,25,50,100)

Variable manually

LCD display

Count - 5 digits/Batch - 3 digits

Power supply

98V - 264V AC, 50/60 Hz

Mean power rating

150W

Models available

2610, 2610 UV, 2610 SD, 2610 3D, 2610+ (Euro 3D model)

Dimensions

Adjustable
Note Guides

Height:
190mm

Width:
300mm

Depth:
260mm

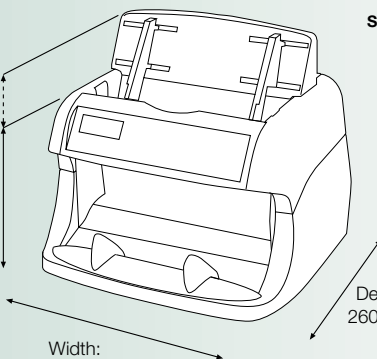
Weight: 6kg
Packed weight 7kg

Easy to use

Fast and efficient counting

Highest accuracy

Six pre-set batch sizes



This leaflet is for general guidance only. De La Rue International Limited is pleased to give detailed specifications of its products in this leaflet. As the company's products and services are continually being developed it is important for customers to check that the information contained herein includes the latest particulars. This document is not part of a contract or licence save insofar as may be expressly agreed.



© De La Rue International Limited 2001

DE LA RUE CASH SYSTEMS

De La Rue House
Jays Close
Viables
Basingstoke
RG22 4BS
www.delarue.com

