

DE LA RUE  
CASH SYSTEMS



DeLaRue

# 2010



## Euro model

### Currency counting machine

Easy-to-use, fixed-function currency counter



# 2010

## Currency counting machine



The De La Rue **2010** currency counter provides a fast and simple alternative to counting and batching currency by hand. Ensuring cost effective, accurate and reliable processing of banknotes, vouchers and coupons, this fixed-function desktop counting machine is suitable for a wide range of environments, including retail cash offices, casinos, auction houses, sales offices, transport companies and vending machine cashiers - in fact wherever accurate document counting is required.

### Efficient currency throughput

The machine's superior note feed mechanism means documents flow quickly through, saving time and reducing the possibility of note jams at a speed of 1000 notes per minute. The machine has two modes of operation:

#### Batch mode

The **2010** model counts notes to one of a number of pre-set batch sizes e.g. 50. Once this number of notes is reached, the machine stops and the bundle is removed. The machine then automatically starts on the next batch.

#### Count mode

The machine counts notes continuously providing the output tray is regularly cleared.

### Highest accuracy

De La Rue's unique patented Doubles Detect technology discerns if notes are stuck together, damaged or folded.

This mechanism ensures the highest accuracy of count associated with all De La Rue currency machines.

### One-key operation

With a touch-sensitive key controlling all functions, the machine is very simple to use. Operators require minimal training and quickly learn how to use the machine.

### Automatic start

For maximum efficiency, the autostart facility ensures that counting begins as soon as notes are placed in the input hopper. There is no need to press the key for each count.

### Easy-to-read display

The machine's large LED display is clear to read, making the machine suitable for a wide range of environments.

### Lightweight

Weighing just 6kg, moving the **2010** from desk to desk is easy.

De La Rue Cash Systems' counters are the direct result of 40 years' experience in designing, manufacturing and distributing world-class currency counting machines. Worldwide service and support specialists are provided through De La Rue Cash Systems' network of branch offices and authorised distributors.

## Technical Specification

#### Document size range

100mm x 50mm to 190mm x 90mm

#### Hopper capacity

500 notes

#### Stacker capacity

100 notes

#### Throughput speed

1000 notes per minute

#### Batching capability

Six pre-set batches (5,10,20,25,50,100)

#### LED display

Count - 3 digits/Batch - 3 digits

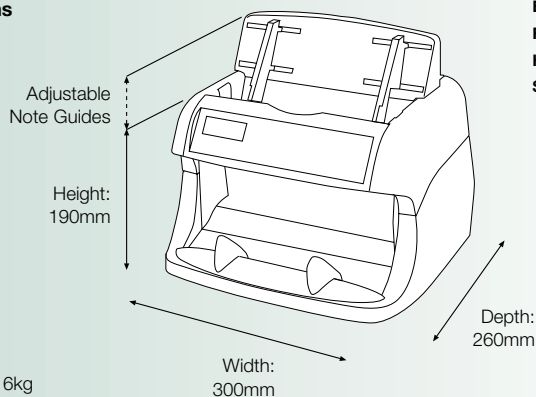
#### Power supply

98V - 264V AC, 50/60 Hz

#### Mean power rating

150W

#### Dimensions



#### Easy-to-use

Fast and efficient counting  
Highest accuracy  
Six pre-set batch sizes



This leaflet is for general guidance only. De La Rue International Limited is pleased to give detailed specifications of its products in this leaflet. As the company's products and services are continually being developed it is important for customers to check that the information contained herein includes the latest particulars. This document is not part of a contract or licence save insofar as may be expressly agreed.



© De La Rue International Limited 2001

#### DE LA RUE CASH SYSTEMS

De La Rue House  
Jays Close  
Viables  
Basingstoke  
RG22 4BS  
www.delarue.com

